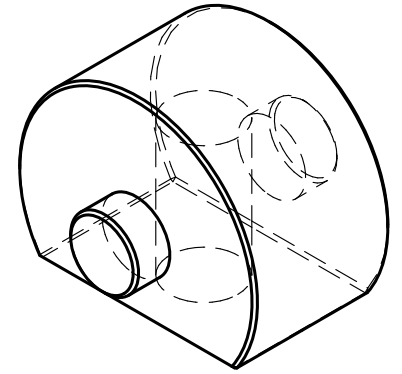
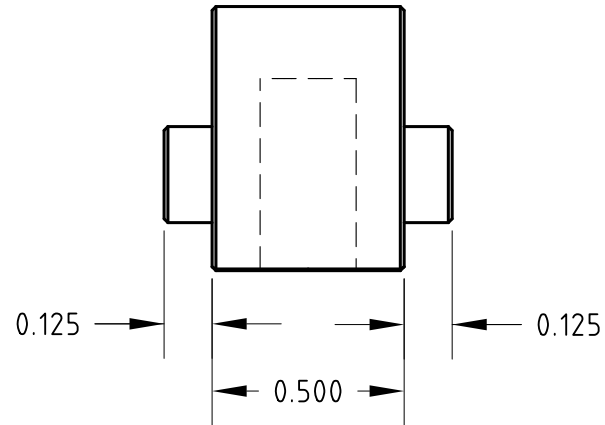
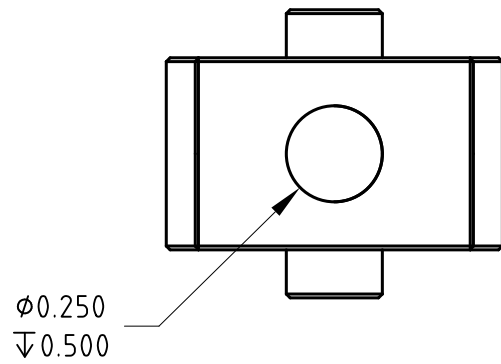
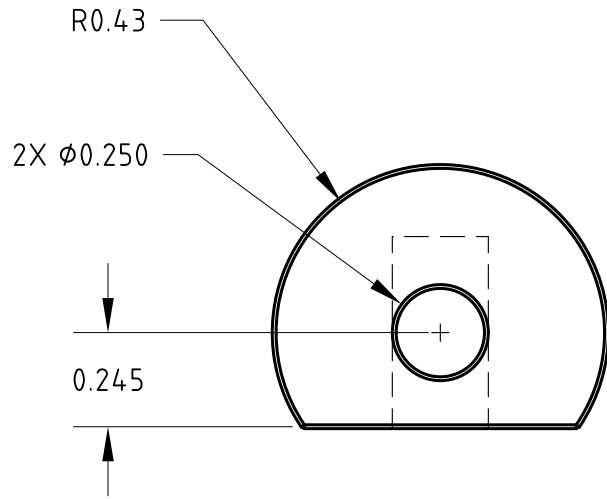


NOTES:

1. BREAK EDGES .010 MAX



UNLESS OTHERWISE SPECIFIED, DIMENSIONS ARE IN INCHES .XX = ±.01 .XXX = ±.005 .XXXX = ±.0005		NAME	DATE	End Hinge Dwg	
SURFACE FINISH √		FastwayJim	08/10/2016		
DO NOT SCALE DRAWING BREAK ALL SHARP EDGES AND REMOVE BURRS		CHECKED		TITLE	
THIRD ANGLE PROJECTION		APPROVED		-----	
		MATERIAL	FINISH	SIZE A	DWG NO. -----
				SCALE	REV. -
				WEIGHT	SHEET 1 of 1